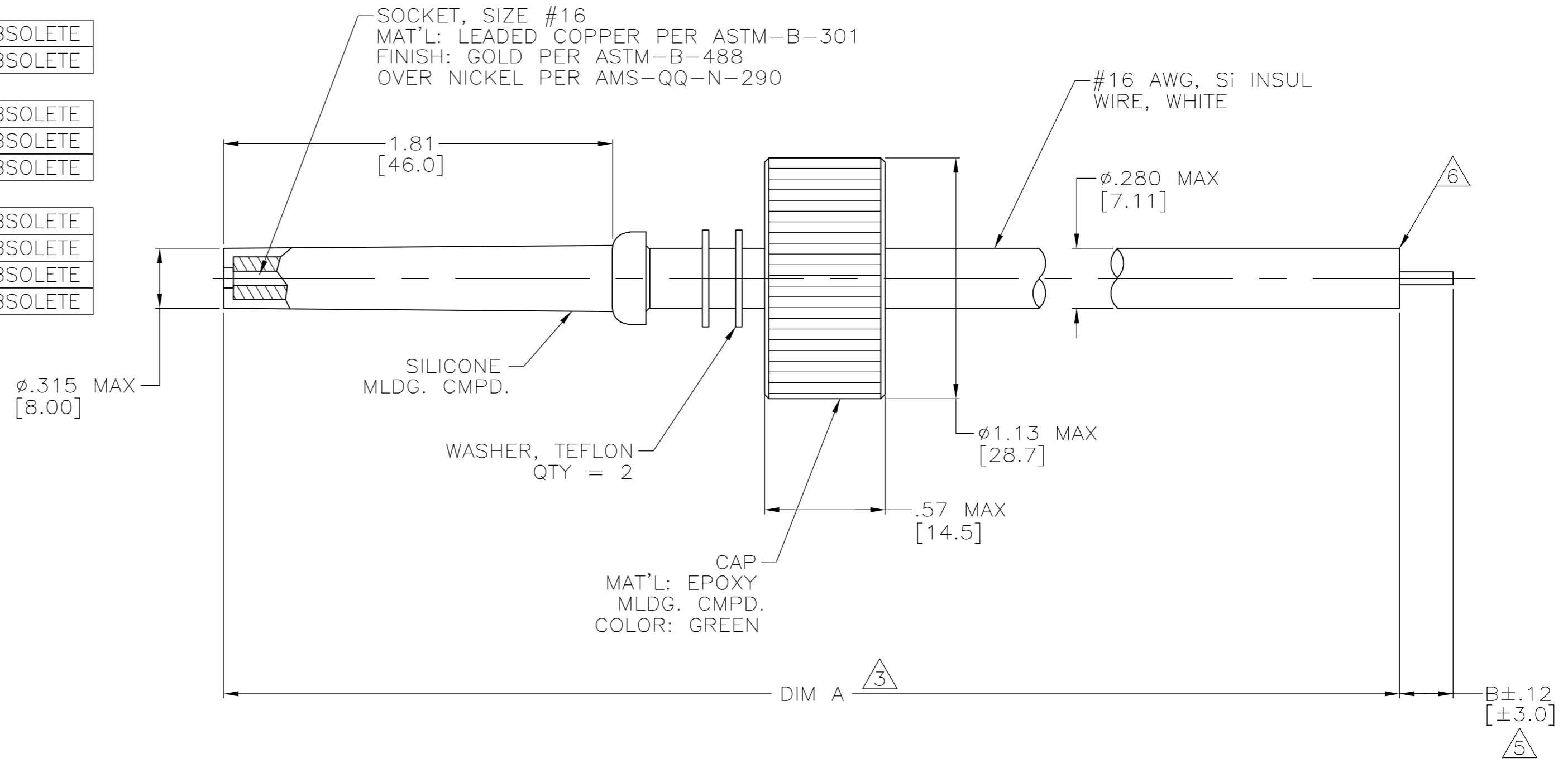


THIS DRAWING IS UNPUBLISHED.		RELEASED FOR PUBLICATION		- .N/A .	
COPYRIGHT N/A BY TYCO ELECTRONICS CORPORATION.		ALL RIGHTS RESERVED.			
PART NO.	DIM A $\triangle 3$	DIM B	REMARKS		
837975-1	12.00 [304.8]	-	$\triangle 5$		
837975-2	36.00 [914.4]	-	$\triangle 5$		
837975-3	18.00 [457.2]	-	$\triangle 5$		
837975-4	8.00 [203.2]	.25 [6.3]	$\triangle 5$ OBSOLETE		
837975-5	120.00 [3048.0]	.25 [6.3]	$\triangle 5$ OBSOLETE		
837975-6	6.00 [152.4]	.25 [6.3]	$\triangle 5$		
837975-7	30.00 [762.0]	.38 [9.7]	$\triangle 5$		
837975-8	12.00 [304.8]	.38 [9.7]	$\triangle 5$		
837975-9	48.00 [1219.2]	.38 [9.7]	$\triangle 5$		
1-837975-0	15.75 [400.0]	-	$\triangle 5$ OBSOLETE		
1-837975-1	10.00 [254.0]	.38 [9.7]	$\triangle 5$ OBSOLETE		
1-837975-2	5.00 [127.0]	.38 [9.7]	$\triangle 5$ OBSOLETE		
1-837975-3	7.00 [177.8]	.38 [9.7]	$\triangle 5$ OBSOLETE		
1-837975-4	9.00 [228.6]	.38 [9.7]	$\triangle 5$		
1-837975-5	16.00 [406.4]	.38 [9.7]	$\triangle 5$		
1-837975-6	24.00 [609.6]	.38 [9.7]	$\triangle 5$		
1-837975-7	60.00 [1524.0]	.38 [9.7]	$\triangle 5$ OBSOLETE		
1-837975-8	72.00 [1828.8]	.38 [9.7]	$\triangle 5$		
1-837975-9	420.00 [10668.0]	.38 [9.7]	$\triangle 5$ OBSOLETE		
2-837975-0	240.00 [6096.0]	.38 [9.7]	$\triangle 5$ OBSOLETE		
2-837975-1	158.00 [4013.2]	.38 [9.7]	$\triangle 5$		
2-837975-2	197.00 [5003.8]	.38 [9.7]	$\triangle 5$ OBSOLETE		
2-837975-3	276.00 [7010.4]	.38 [9.7]	$\triangle 5$ OBSOLETE		
2-837975-4	1182.00 [30022.8]	.38 [9.7]	$\triangle 5$ OBSOLETE		
2-837975-5	480.00 [12192.0]	.38 [9.7]	$\triangle 5$		
2-837975-6	17.00 [431.8]	.38 [9.7]	$\triangle 5$ OBSOLETE		
2-837975-7	360.00 [9144.0]	.38 [9.7]	$\triangle 5$ OBSOLETE		
2-837975-8	78.75 [2000.2]	.38 [9.7]	$\triangle 5$ OBSOLETE		
2-837975-9	40.00 [1016.0]	.38 [9.7]	$\triangle 5$ OBSOLETE		
5-837975-9	48.00 [1219.2]	.38 [9.7]	$\triangle 6$		
6-837975-4	9.00 [228.6]	.38 [9.7]	$\triangle 6$		
6-837975-6	24.00 [609.6]	.38 [9.7]	$\triangle 6$		

LOC	DIST	REVISIONS					
DF	S0	P	LTR	DESCRIPTION	DATE	DWN	APVD
		R		REV PER ECO-05-002357	08-05	AA	DE

1. MARKED PER MIL-STD-130.
 2. LEADS WILL MATE WITH AMP LGH-3 RECEPTACLE WITH 1.81 [4.7] BARREL DEPTH.
- $\triangle 3$ TOLERANCE OF LEAD LENGTH:
UP TO 24 INCHES [609.6] = ± 1.2 [± 3.0]
24 INCHES [609.6] & UP = $\pm 1\%$
4. OPERATING VOLTAGE: 40 KVDC AT 0 TO 70,000 FEET, -55°C TO 125°C.
- $\triangle 5$ PIGTAIL IS SOLDER DIPPED.
 $\triangle 6$ INSULATION CUT, BUT NOT REMOVED.



THIS DRAWING IS A CONTROLLED DOCUMENT.		DWN	C.C.THOMAS	02-MAY-94	 Tyco Electronics Corporation Harrisburg, Pa 17105-3608
DIMENSIONS:		CHK	D.EABY	04-MAY-94	
INCHES [mm]		APVD	D.EABY	04-MAY-94	
		PRODUCT SPEC			
TOLERANCES UNLESS OTHERWISE SPECIFIED:		APPLICATION SPEC			
0 PLC \pm -		WEIGHT	-		
1 PLC \pm -		SCALE	A2 00779 C=837975		
2 PLC $\pm .02$ [0.5]		SHEET	1 OF 1		
3 PLC \pm -		REV	R		
4 PLC \pm -		CUSTOMER DRAWING			
ANGLES \pm -					
FINISH					
SEE CALLOUTS					